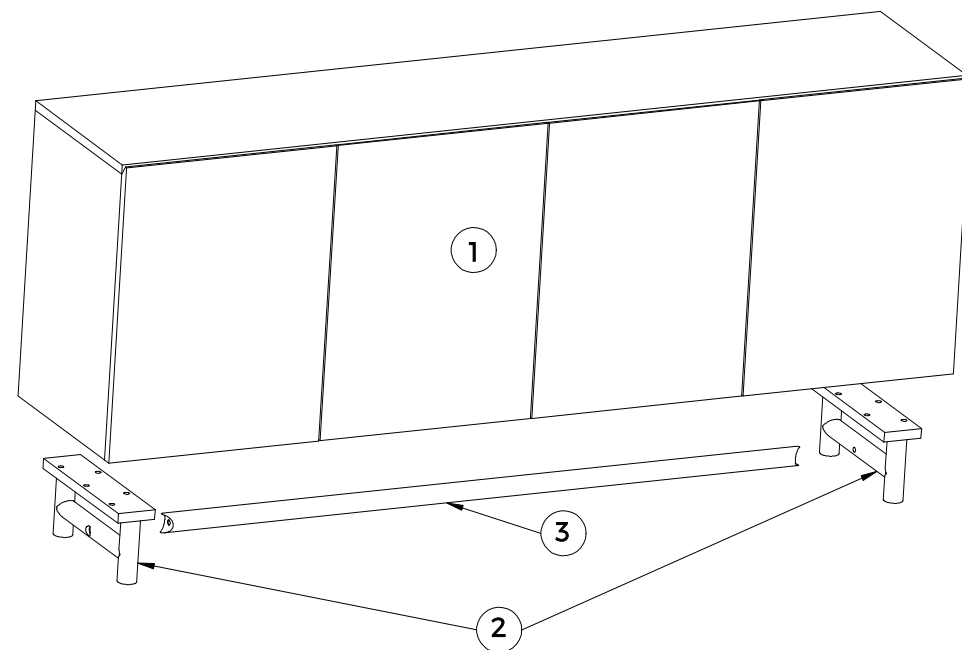
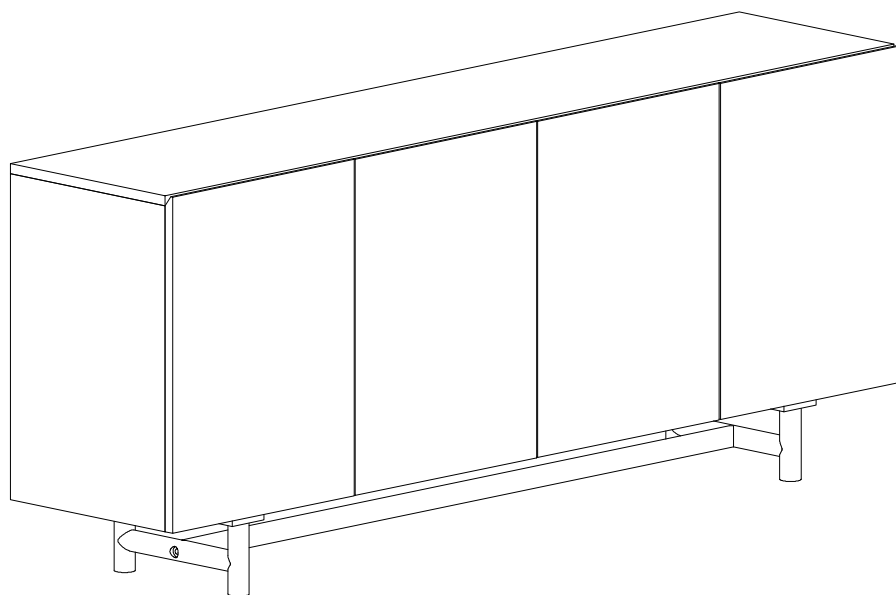


Alexi Sideboard Buffet Alexi

Assembly Instructions / Instructions d'assemblage

URBAN BARN



Page 1 of 3 / Page 1 de 3



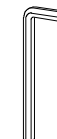
D x 10
Ø8 x 35mm



E x 2
Ø8 x 55mm



F x 12
Ø8 x 19mm

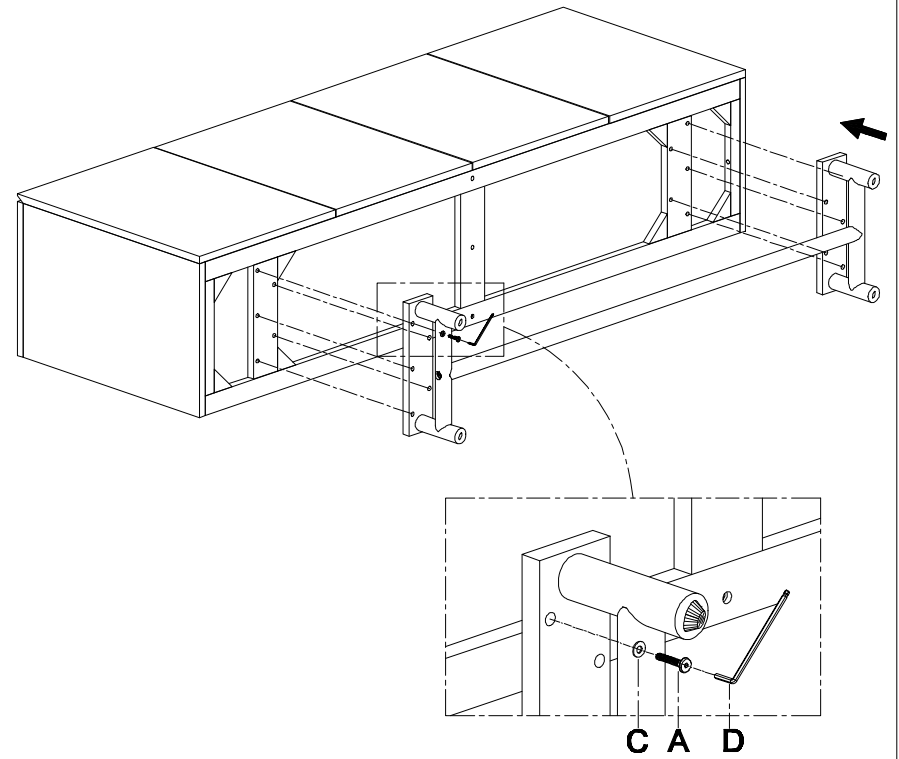
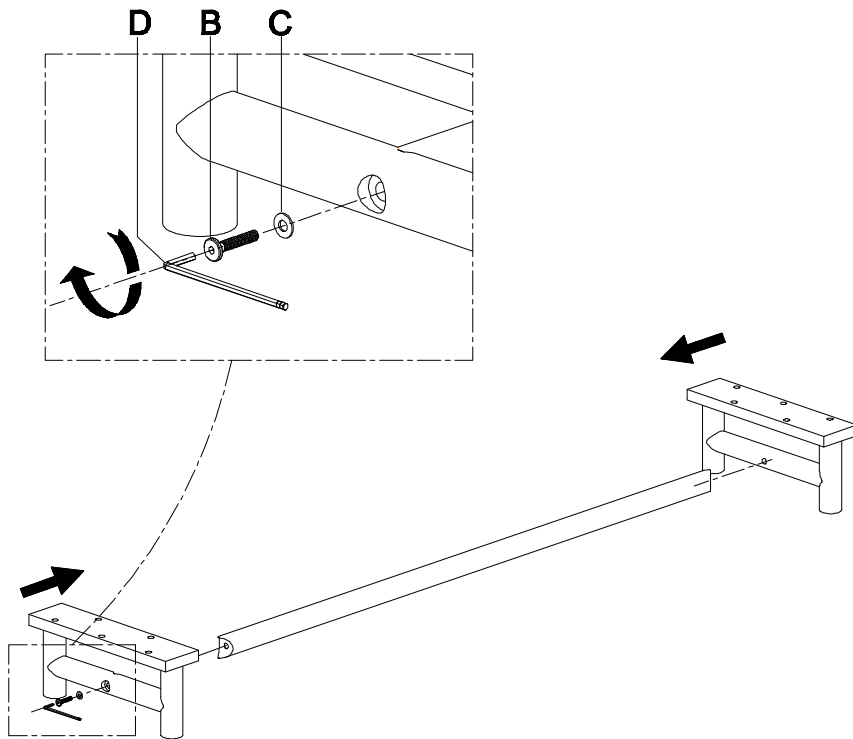


G x 1

Alexi Sideboard Buffet Alexi

Assembly Instructions / Instructions d'assemblage

URBAN BARN



Alexi Sideboard
Buffet Alexi

Assembly Instructions / Instructions d'assemblage

**URBAN
BARN**

