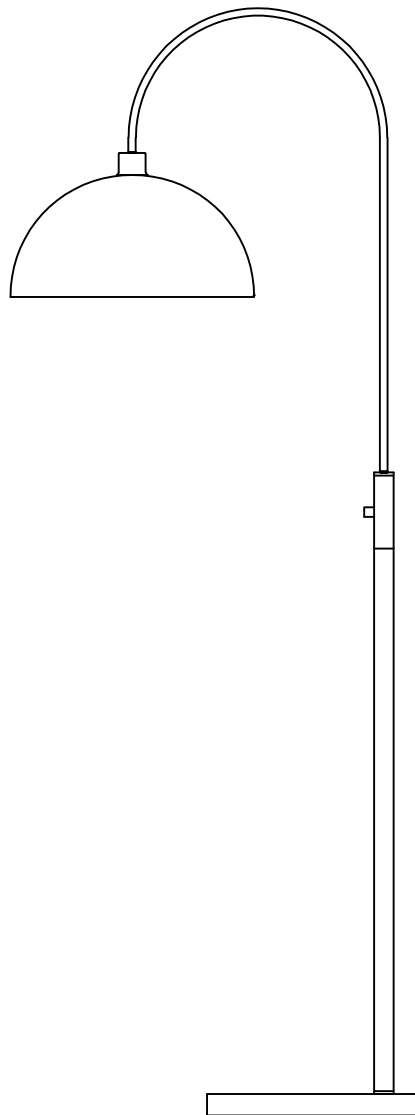


# URBAN BARN

## USE AND CARE GUIDE

---

216638 RANDALL FLOOR LAMP



# Table of Contents

---

Safety Information .....	2
Pre-Installation .....	3
Planning Installation .....	3
Package Contents .....	3
Assembly .....	4, 5, 6
Care and Cleaning .....	7
Troubleshooting .....	7

## Safety Information

---

- Consult a qualified electrician with any electrical questions you may have.



**IMPORTANT:** Inspect the wire insulation for any cuts, abrasions, or exposed copper that may have occurred during shipping. If there is a defect in the wire, do not continue the assembly process.

# Pre-Installation

## PLANNING INSTALLATION

Read all instructions before assembly.

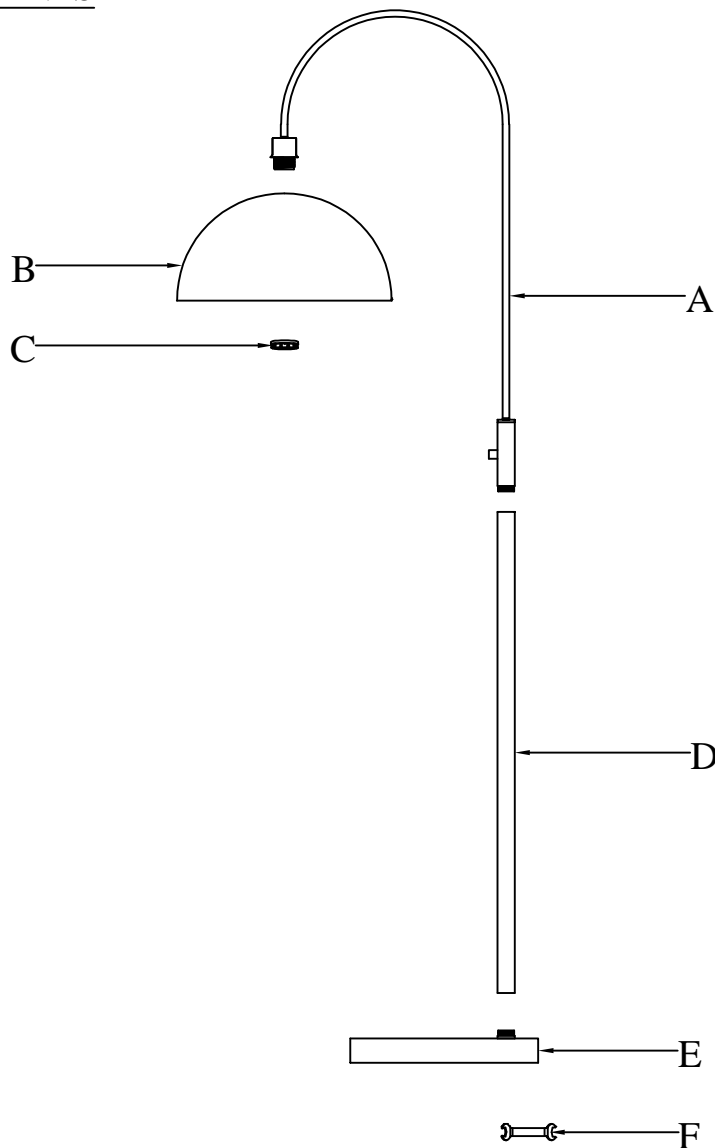
To avoid damaging this product, assemble it on a soft, non-abrasive surface such as carpet or cardboard. Inspect each part for defects that may have occurred during shipping.

Keep your receipt and these instructions for proof of purchase.



NOTE: This lamp requires the use of one 120V, 60Hz, 100-Watt max, medium-base type A bulb (not included). Do not exceed the recommended wattage.

## PACKAGE CONTENTS



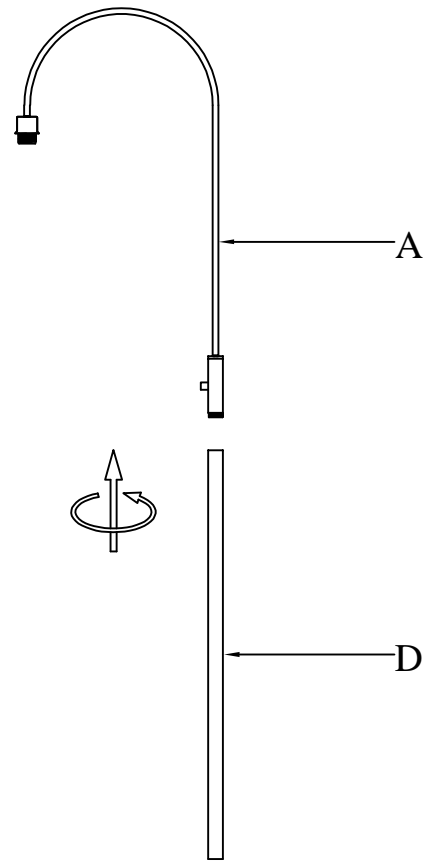
Part	Description	Quantity
A	Arm assembly	1
B	Shade	1
C	Socket ring	1
D	pole	1
E	Base	1
F	Wrench	1

# Assembly instructions

---

## 1. Unpack the lamp and assemble pole

- Carefully organize and place all parts on a smooth, flat surface. line up all of the parts according to the assembly diagram.
- Screw the pole (D) to bottom of the arm assembly (A).

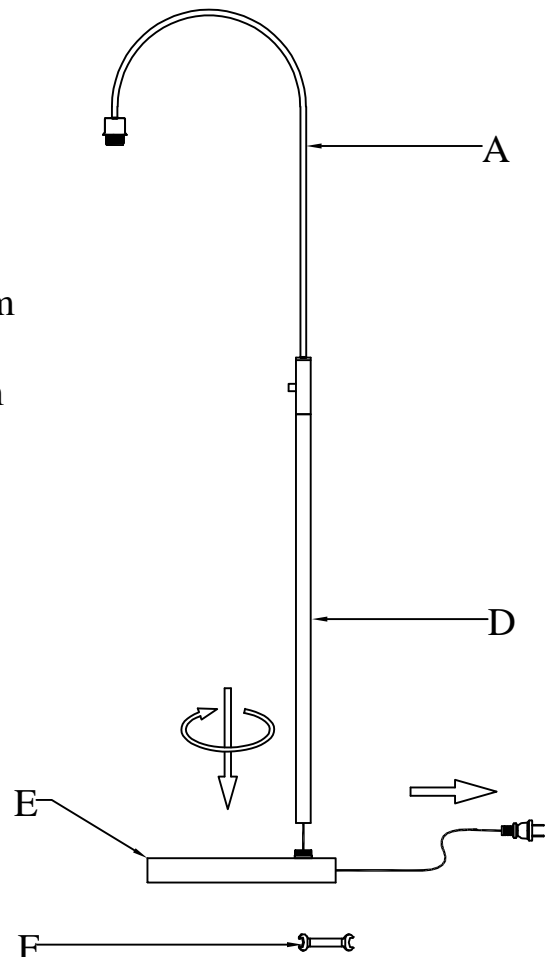


---

## 2. Assemble the base

- Pull the excess power cord through base (E).
- Screw the pole (D) to top of the base (E).

**IMPORTANT NOTE:** Please make sure the arm (A) and socket face front as shown. If the arm (A) and socket are not face front, adjust the arm (A) and socket face front as shown and use the wrench (F) (included) to tighten the nut from bottom of the base (E).

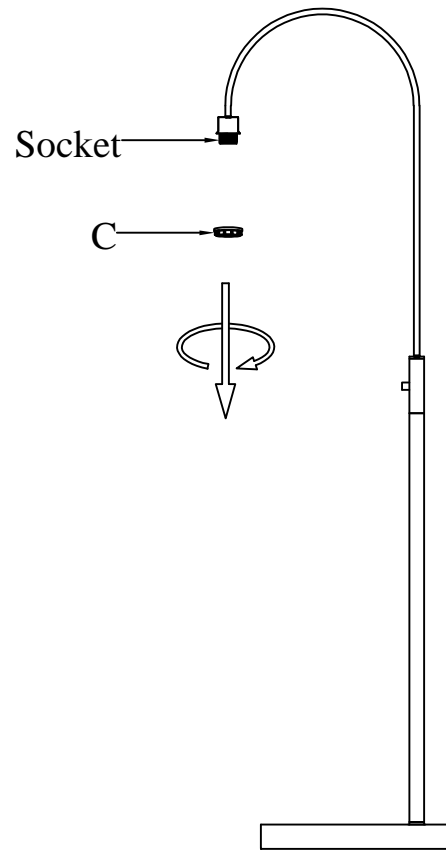


# Assembly instructions (continued)

---

## 3. Remove the socket ring

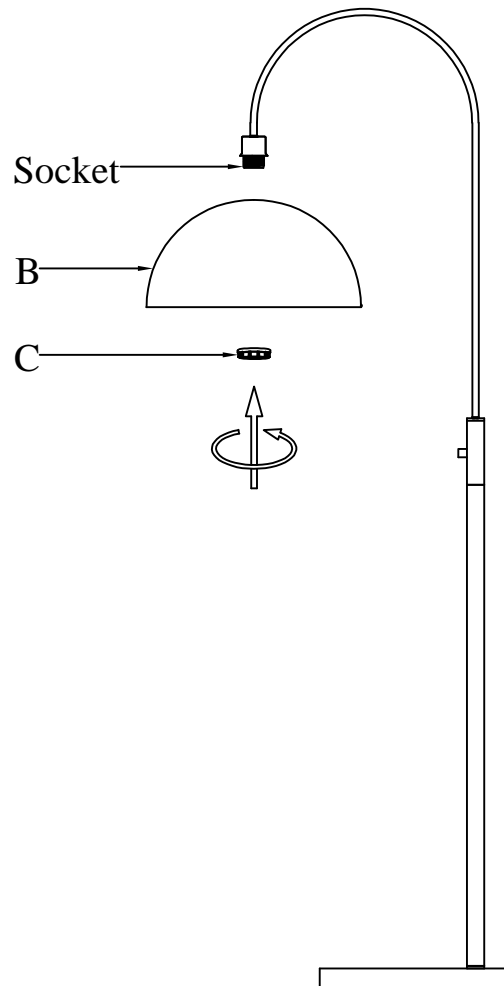
- Remove the socket ring (C) from the socket by unscrewing the socket ring (C).



---

## 4. Assemble the shade

- Place the shade (B) over the socket, then secure with socket ring (C).

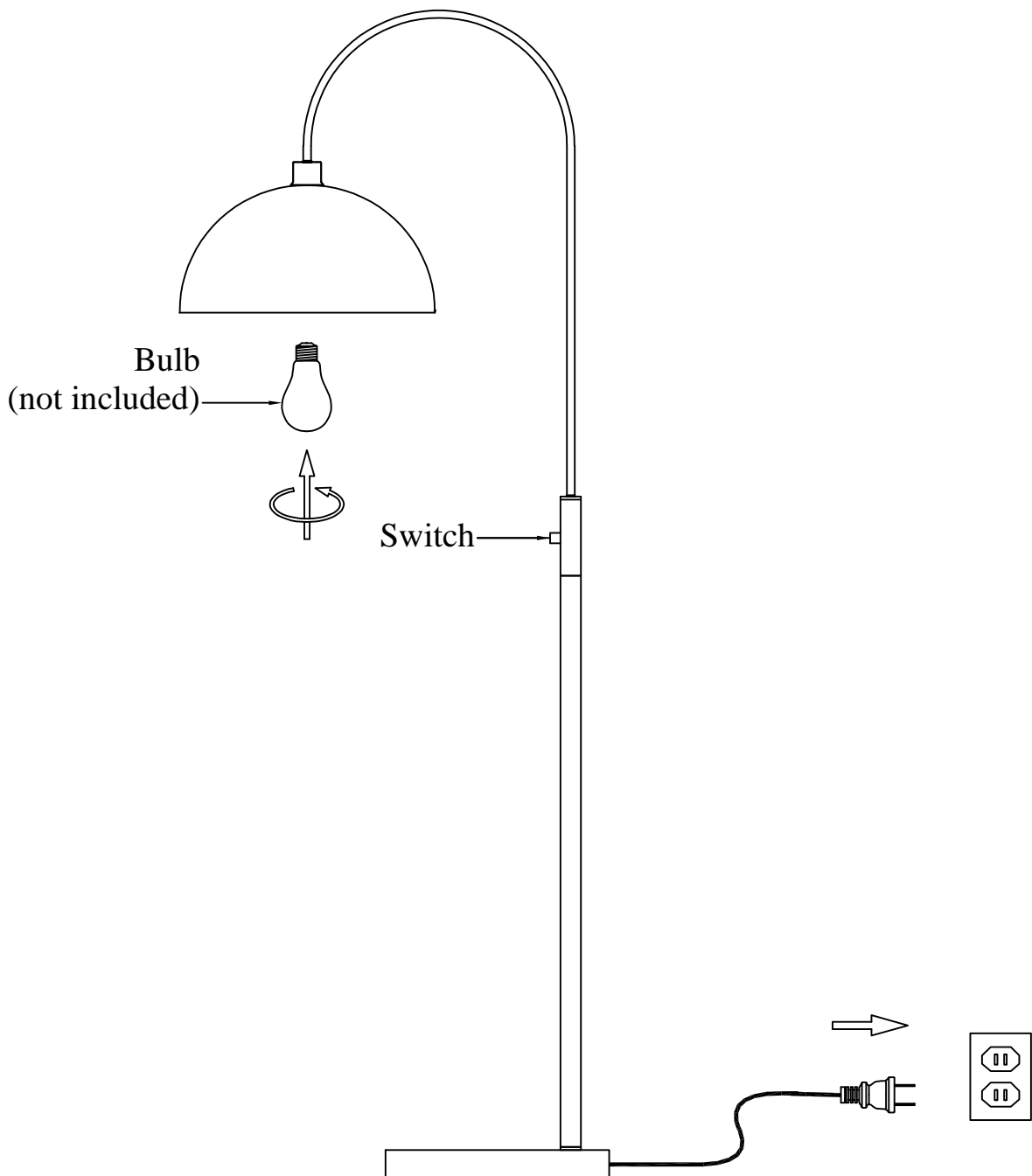


# Assembly instructions (continued)

---

## 5. Install the bulb

- Prior to installing the bulb, inspect socket for silica packet. If packet is present, then remove and throw away. Do not expose it to children or pets.
- Install the 120V, 60HZ, 100-watt max. medium-base type A bulb (not included) into the socket of the light lamp.
- Plug cord into an outlet and turn on at the switch.



# Important safety instructions

This portable lamp has a polarized plug (one blade is wider than the other) as a feature to reduce the risk of electric shock. This plug will fit in a polarized outlet only one way. If the plug does not fit fully in the outlet, reverse the plug. If it still does not fit, contact a qualified electrician. never use with an extension cord unless plug can be fully inserted. Do not alter the plug.

# Care and Cleaning

Clean the lamp with a soft, dry cloth. Do not use any cleaners with chemicals, solvents, or harsh abrasives.

# Troubleshooting

Problem	Possible Cause	Solution
The bulb will not light.	<input type="checkbox"/> The bulb is burned out.	<input type="checkbox"/> Replace the light bulb.
	<input type="checkbox"/> The power is off.	<input type="checkbox"/> Ensure that the power supply is turned on.
	<input type="checkbox"/> Did not insert plug into power outlet.	<input type="checkbox"/> Ensure that the plug is fully and properly inserted into the power outlet.
	<input type="checkbox"/> The circuit breaker is off.	<input type="checkbox"/> Ensure that the circuit breaker is set in the on position.
The fuse blows or a circuit breaker trips when the light is turned on.	<input type="checkbox"/> There is an exposed wire. <input type="checkbox"/> There are too many items on one circuit.	<input type="checkbox"/> Discontinue use of the lamp. <input type="checkbox"/> Unplug other items on the circuit.

# URBAN BARN