

URBAN BARN

USE AND CARE GUIDE

218611 MILLICENT TABLE LAMP

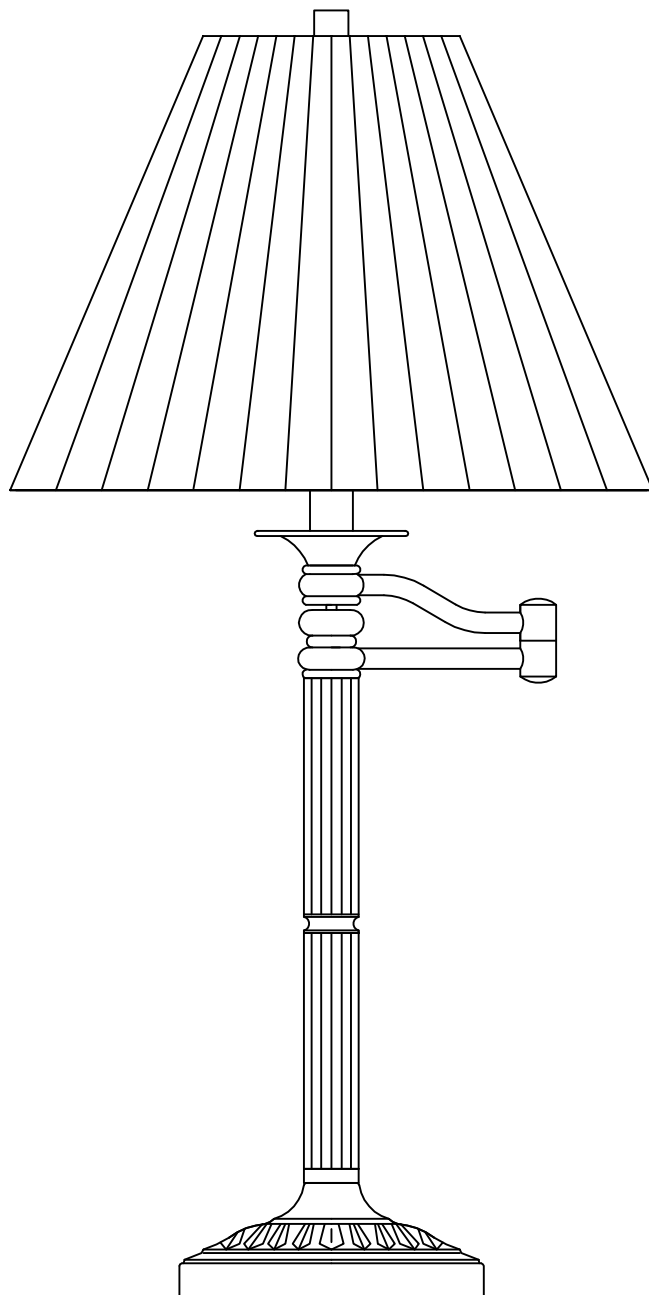


Table of Contents

Safety Information	2
Pre-Installation	3
Planning Installation	3
Package Contents	3
Assembly	4, 5, 6
Care and Cleaning	7
Troubleshooting	7

Safety Information

- Consult a qualified electrician with any electrical questions you may have.



IMPORTANT: Inspect the wire insulation for any cuts, abrasions, or exposed copper that may have occurred during shipping. If there is a defect in the wire, do not continue the assembly process.


Pre-Installation

PLANNING INSTALLATION

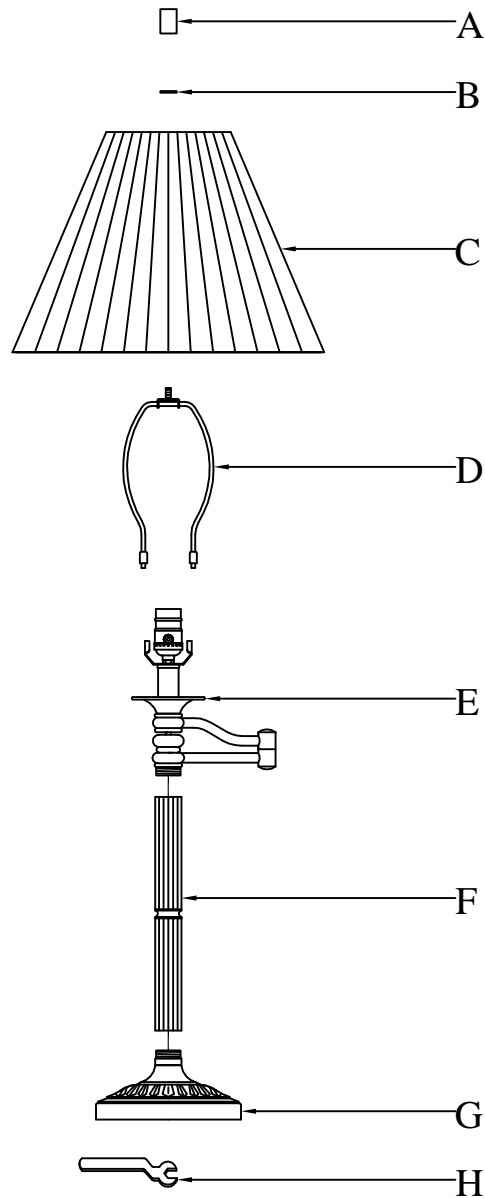
Read all instructions before assembly.

To avoid damaging this product, assemble it on a soft, non-abrasive surface such as carpet or cardboard. Inspect each part for defects that may have occurred during shipping.

Keep your receipt and these instructions for proof of purchase.

 **NOTE:** This lamp requires the use of one 120V, 60Hz, 150-Watt max, medium-base type A 3-way bulb (not included). Do not exceed the recommended wattage.

PACKAGE CONTENTS



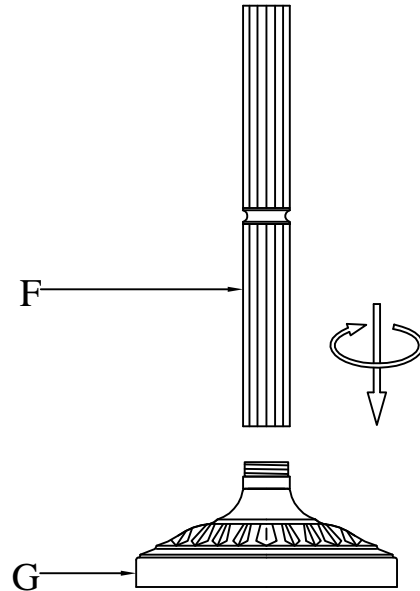
Part	Description	Quantity
A	Finial	1
B	Rubber washer	1
C	Shade	1
D	Harp	1

Part	Description	Quantity
E	Socket assembly	1
F	Pole	1
G	Base	1
H	Wrench	1

Assembly instructions

1. Unpack the lamp and assemble pole

- Carefully organize and place all parts on a smooth, flat surface. line up all of the parts according to the assembly diagram.
- Screw the pole (F) to top of the base (G).

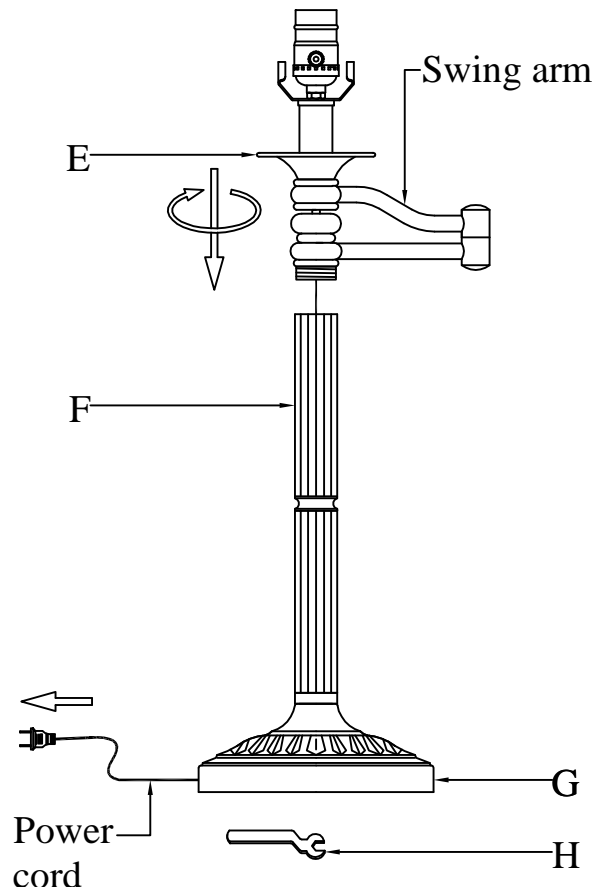


2. Assemble the socket assembly

- Pull the excess power cord through base (G).
- Screw the socket assembly (E) to top of the pole (F).

IMPORTANT NOTE: Make sure the power cord is on the opposite of the swing arm as shown, if not, adjust the swing arm position by loosening the nut from bottom of the base (G), tighten the nut after you get the proper position. (Wrench (H) included).

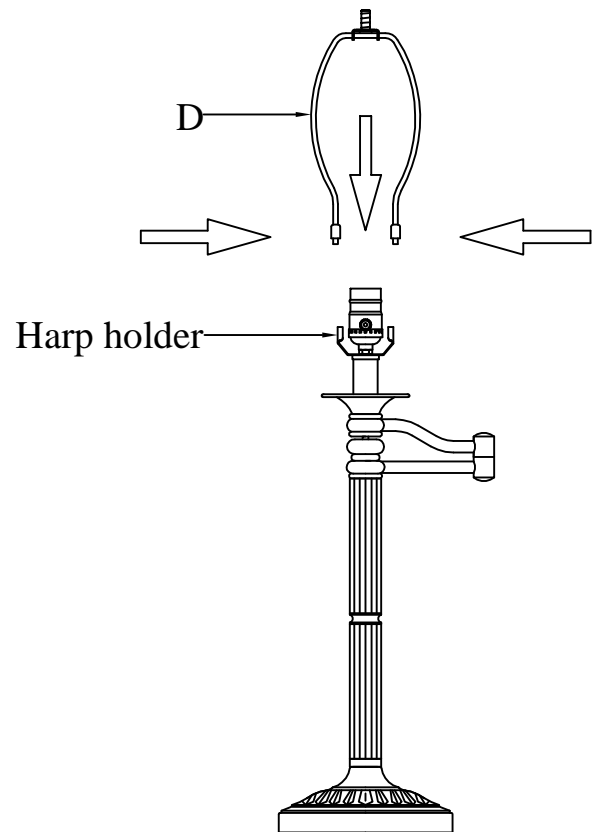
- Swing the swing arm, if the swing arm is hard to swing or have abnormal sound, put a drop of WD-40 or similar product on the joint and let it sit overnight. dry with a soft cloth.



Assembly instructions (continued)

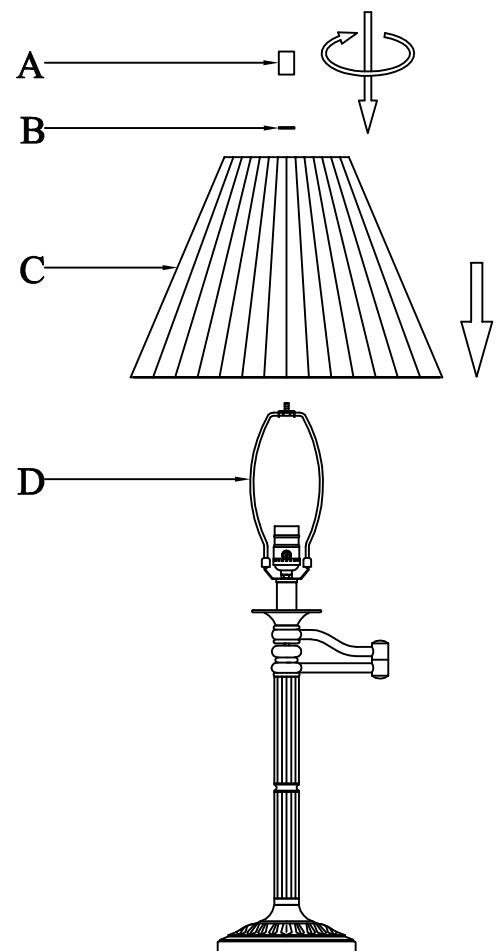
3. Assemble the harp

- Squeeze legs of the harp (D) together and insert the two ends between the prongs of the harp holder.



4. Assemble the shade

- Place the shade (C) onto the harp (D).
- Secure the shade (C) to harp (D) with rubber washer (B) and finial (A).



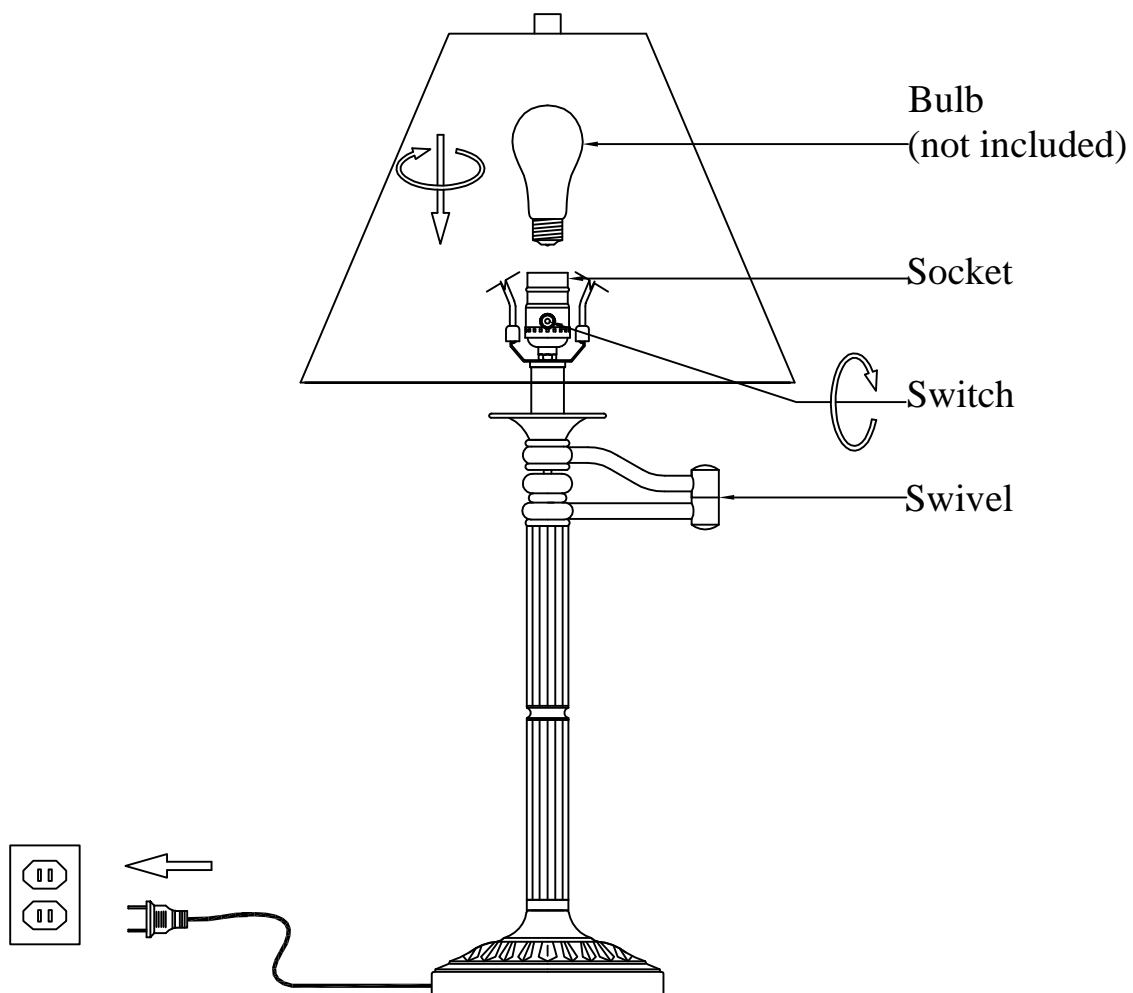
Assembly instructions (continued)

5. Install the bulb

- Prior to installing the bulb, inspect socket for silica packet. If packet is present, then remove and throw away. Do not expose it to children or pets.
- Install one 120V, 60Hz, 150-watt max. medium-base type A 3-way bulb (not included) into the socket of the light lamp.

NOTES: Make sure a 3-way bulb is being used and that the bulb is fully screwed into the base of the socket. this may require an extra turn of the bulb.

- Plug cord into an outlet and turn on at the switch.



Important safety instructions

This portable lamp has a polarized plug (one blade is wider than the other) as a feature to reduce the risk of electric shock. This plug will fit in a polarized outlet only one way. If the plug does not fit fully in the outlet, reverse the plug. If it still does not fit, contact a qualified electrician. never use with an extension cord unless plug can be fully inserted. Do not alter the plug.

Care and Cleaning

Clean the lamp with a soft, dry cloth. Do not use any cleaners with chemicals, solvents, or harsh abrasives.

Troubleshooting

Problem	Possible Cause	Solution
The bulb will not light.	<input type="checkbox"/> The bulb is burned out.	<input type="checkbox"/> Replace the light bulb.
	<input type="checkbox"/> The power is off.	<input type="checkbox"/> Ensure that the power supply is turned on.
	<input type="checkbox"/> Did not insert plug into power outlet.	<input type="checkbox"/> Ensure that the plug is fully and properly inserted into the power outlet.
	<input type="checkbox"/> The circuit breaker is off.	<input type="checkbox"/> Ensure that the circuit breaker is set in the on position.
The fuse blows or a circuit breaker trips when the light is turned on.	<input type="checkbox"/> There is an exposed wire. <input type="checkbox"/> There are too many items on one circuit.	<input type="checkbox"/> Discontinue use of the lamp. <input type="checkbox"/> Unplug other items on the circuit.

URBAN BARN