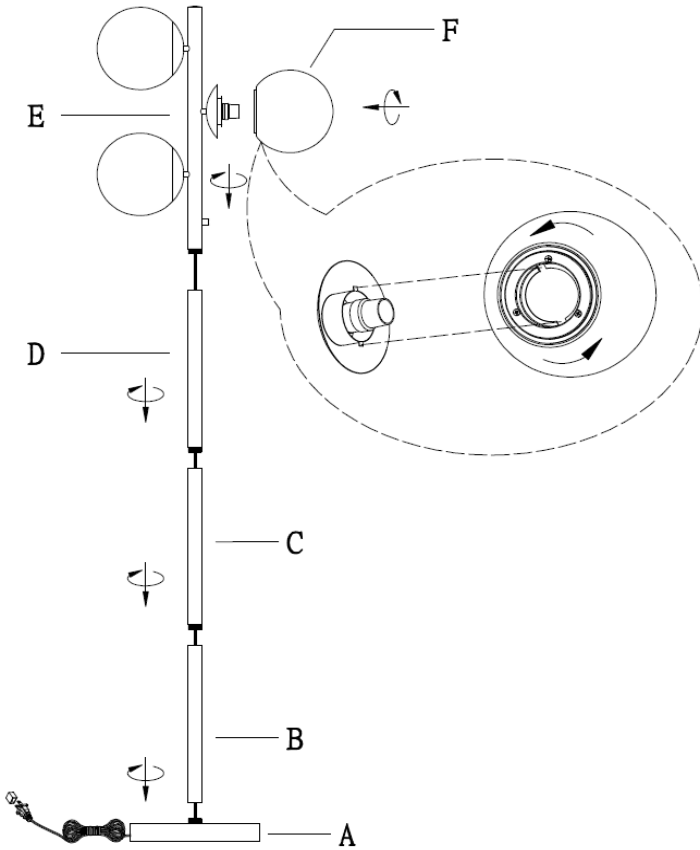


ASSEMBLY INSTRUCTION FOR

Olivier Floor Lamp

Model# 215033



1. Screw pole (B) onto base (A) clockwise until tight.
2. Screw pole (B), (C), (D) and (E) together.
3. Install the opal glass shades (F) onto each socket, and turn it clockwise until tight.

GENERAL PRODUCT INFORMATION:

This product is suitable for dry locations only.



IMPORTANT SAFETY INSTRUCTIONS:

This portable lamp has a polarized plug as a feature to reduce the risk of electric shock (one blade is larger than the other). This plug will fit in a polarized outlet only one way. If the plug does not fit fully in the outlet, reverse the plug. If it still does not fit, contact a qualified electrician. Do not use with an extension cord unless the plug can be fully inserted. **DO NOT ALTER THE PLUG .**

BULB TYPE: Use only with maximum of 3*60 watt incandescent bulb (bulbs not included).

PARTS DIAGRAM

(3) * Opal glass shade (F)

URBAN BARN