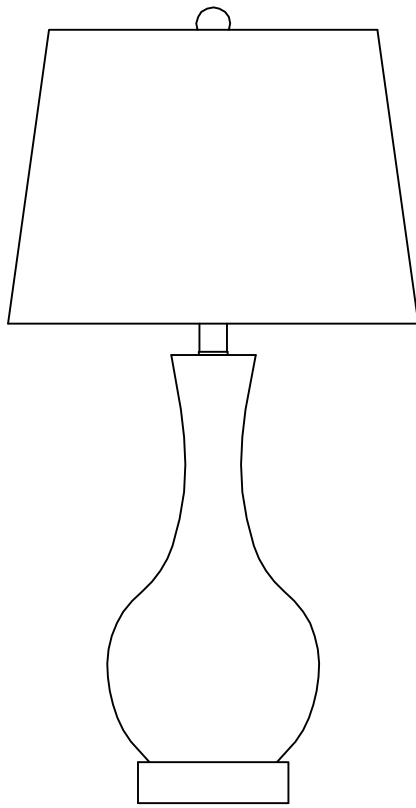


# URBAN BARN

## USE AND CARE GUIDE

---

SELAH TABLE LAMP #215514



# Table of Contents

---

Safety Information .....	2
Pre-Installation .....	3
Planning Installation .....	3
Package Contents .....	3
Assembly .....	4, 5, 6
Care and Cleaning .....	7
Troubleshooting .....	7

## Safety Information

---

- Consult a qualified electrician with any electrical questions you may have.

# Pre-Installation

## PLANNING INSTALLATION

Read all instructions before assembly.

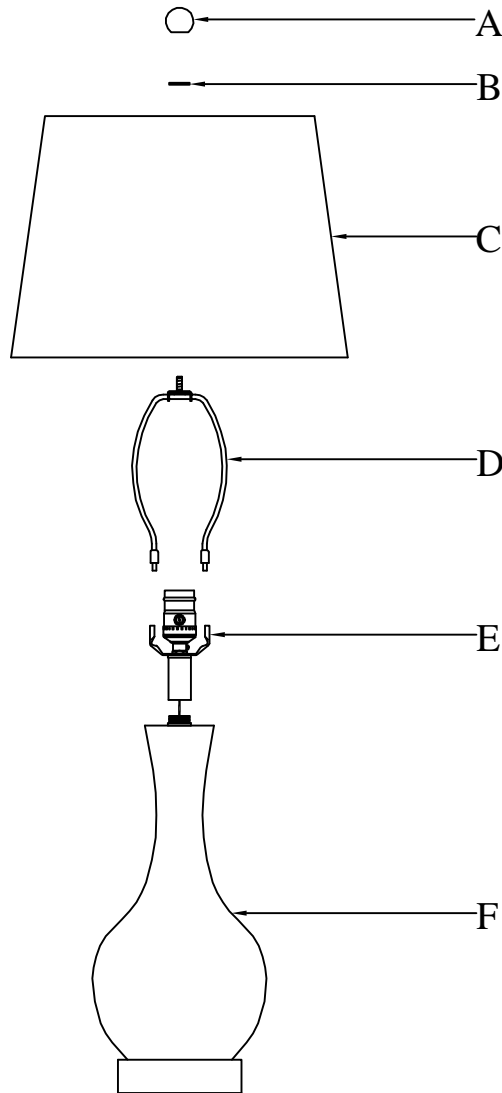
To avoid damaging this product, assemble it on a soft, non-abrasive surface such as carpet or cardboard. Inspect each part for defects that may have occurred during shipping.

Keep your receipt and these instructions for proof of purchase.



NOTE: This lamp requires the use of one 120V, 60HZ, 150-Watt max., medium-base type A 3-way bulb (not included). Do not exceed the recommended wattage.

## PACKAGE CONTENTS



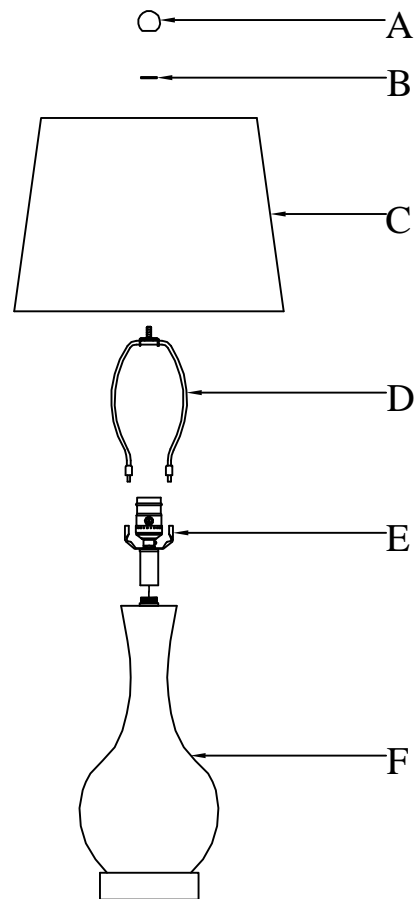
Part	Description	Quantity
A	Finial	1
B	Rubber washer	1
C	Shade	1
D	Harp	1
E	Socket assembly	1
F	Lamp body	1

# Assembly instructions

---

## 1. Unpack the lamp

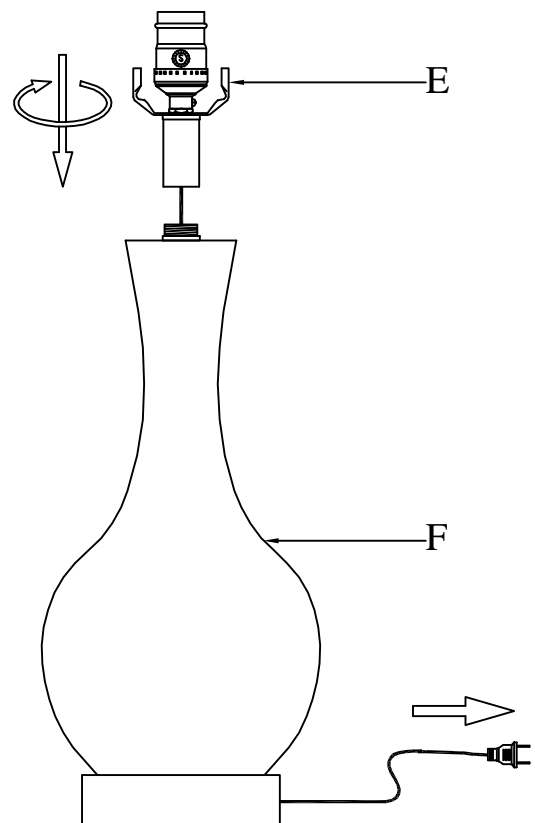
- Carefully organize and place all parts on a smooth, flat surface. line up all of the parts according to the assembly diagram.



---

## 2. Assemble the socket assembly

- Pull the excess power cord through base.
- Screw the socket assembly (E) to top of the lamp body (F).

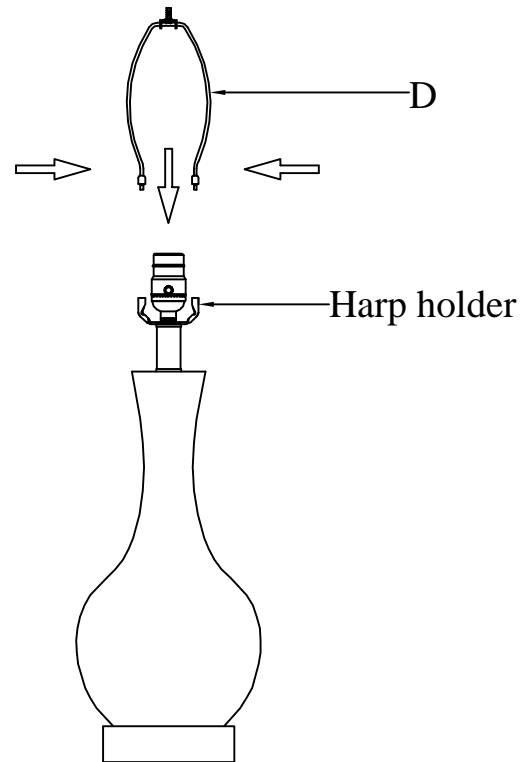


# Assembly instructions (continued)

---

## 3. Assemble the harp

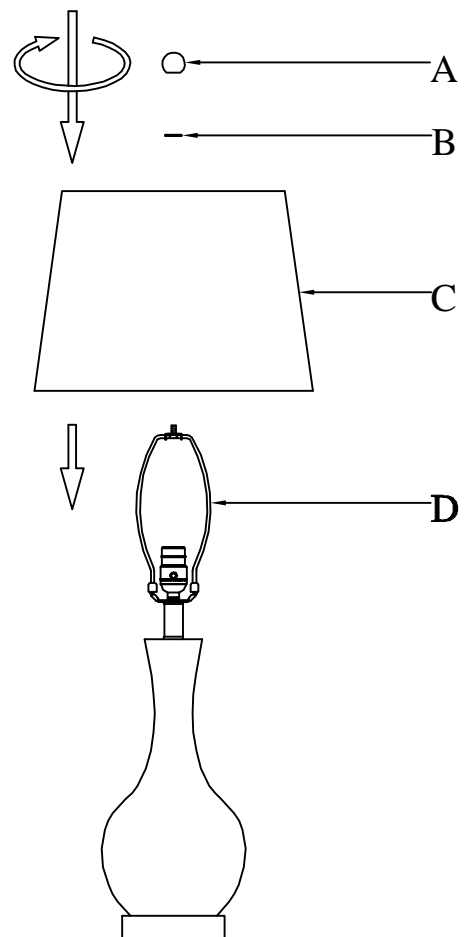
- Squeeze legs of the harp (D) together and insert the two ends between the prongs of the harp holder.



---

## 4. Assemble the shade

- Place the shade (C) onto the harp (D).
- Secure the shade (C) to harp with rubber washer (B) and finial (A).



## Assembly instructions (continued)

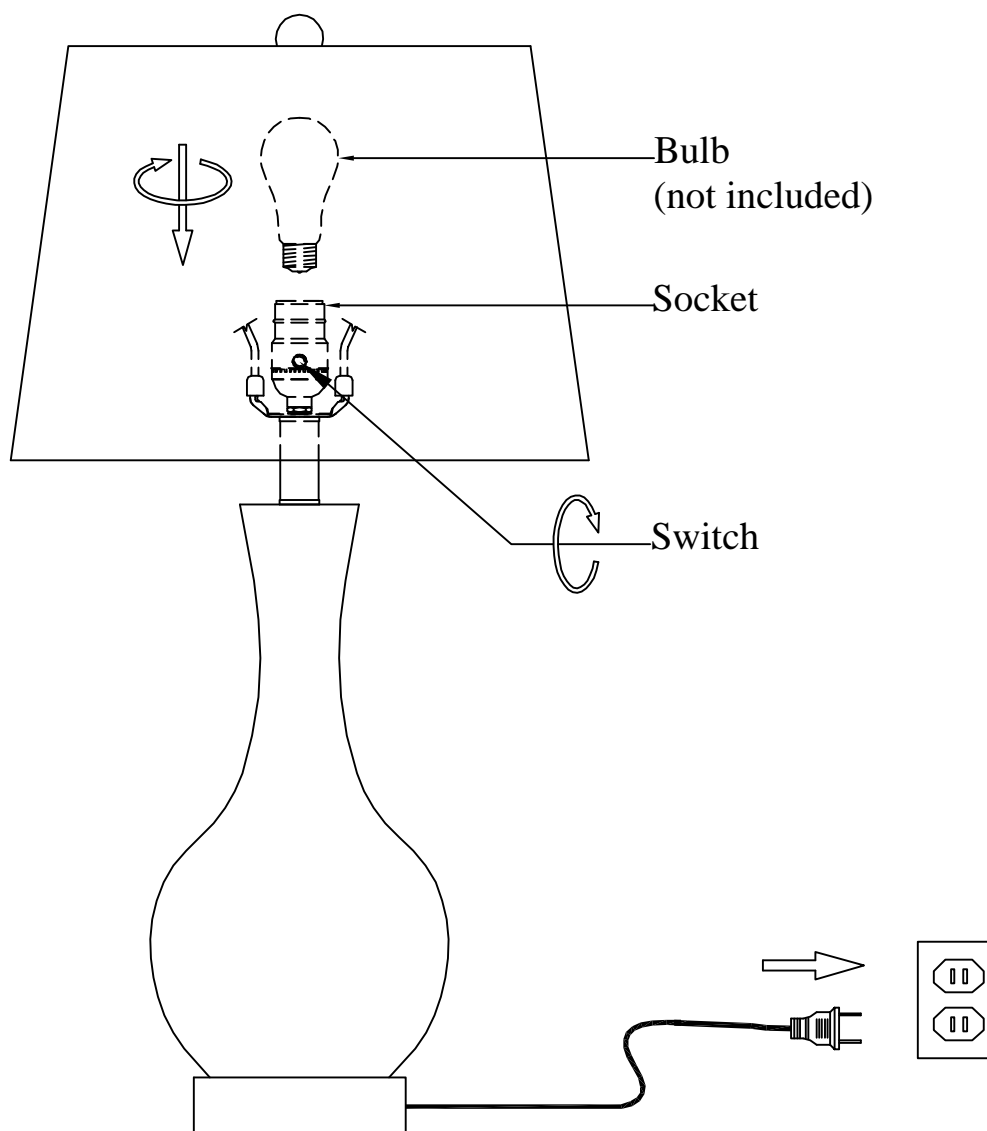
---

### 5. Install the bulb

- Prior to installing the bulb, inspect socket for silica packet. If packet is present, then remove and throw away. Do not expose it to children or pets.
- Install the 120V, 60HZ, 150-watt max. medium-base type A 3-way bulb (not included) into the socket of the light lamp.

**NOTES:** Make sure a 3-way bulb is being used and that the bulb is fully screwed into the base of the socket. this may require an extra turn of the bulb.

- Plug cord into an outlet and turn on at the switch.



# Important safety instructions

This portable lamp has a polarized plug (one blade is wider than the other) as a feature to reduce the risk of electric shock. This plug will fit in a polarized outlet only one way. If the plug does not fit fully in the outlet, reverse the plug. If it still does not fit, contact a qualified electrician. never use with an extension cord unless plug can be fully inserted. Do not alter the plug.

# Care and Cleaning

Clean the lamp with a soft, dry cloth. Do not use any cleaners with chemicals, solvents, or harsh abrasives.

# Troubleshooting

Problem	Possible Cause	Solution
The bulb will not light.	<input type="checkbox"/> The bulb is burned out.	<input type="checkbox"/> Replace the light bulb.
	<input type="checkbox"/> The power is off.	<input type="checkbox"/> Ensure that the power supply is turned on.
	<input type="checkbox"/> Did not insert plug into power outlet.	<input type="checkbox"/> Ensure that the plug is fully and properly inserted into the power outlet.
	<input type="checkbox"/> The circuit breaker is off.	<input type="checkbox"/> Ensure that the circuit breaker is set in the on position.
The fuse blows or a circuit breaker trips when the light is turned on.	<input type="checkbox"/> There is an exposed wire. <input type="checkbox"/> There are too many items on one circuit.	<input type="checkbox"/> Discontinue use of the lamp. <input type="checkbox"/> Unplug other items on the circuit.