

## ITEM NO.: BLAISE FLOOR LAMP #218656

### ASSEMBLY INSTRUCTIONS

#### VERY IMPORTANT :

PLEASE READ THOROUGHLY. MAKE SURE YOU PROPERLY ALIGN POLES BEFORE SCREWING THEM TOGETHER TO AVOID DAMAGING CONNECTION THREADS. NOT ADHERING TO THIS PROCEDURE MAY VOID YOUR WARRANTY.

**Carefully unpack this lamp and place it on a flat surface.**

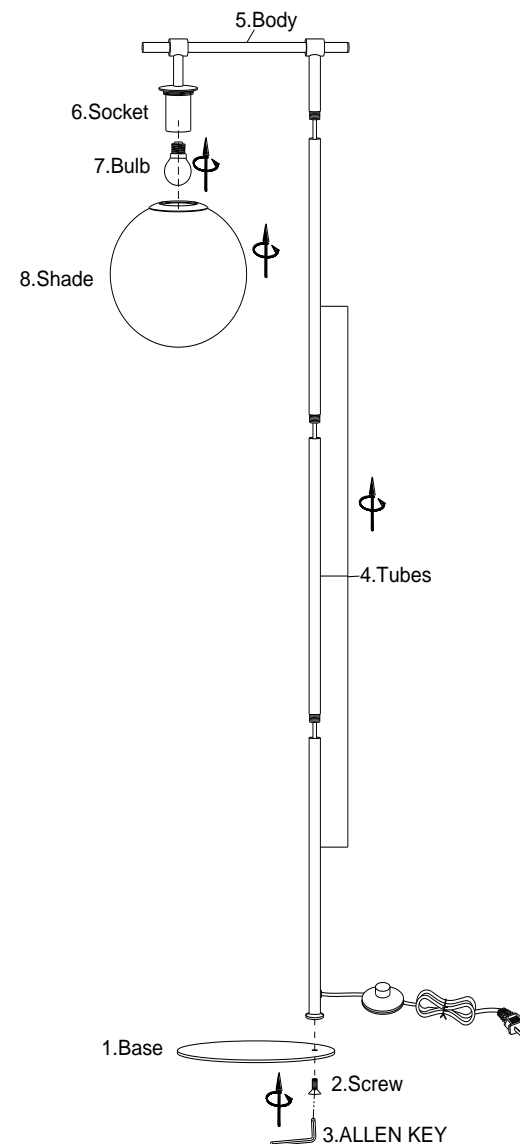
1. Connect the tubes(4), and body (5) together.
2. Connect the tube (4) and base(1) by tightening screw (2) with supplied allen key.(3)
3. Install the bulb (7) into socket (6).
4. Attach the shade (8) onto socket.

**Use a 25W (Maximum) Incandescent G Type Bulb. (Bulb included)**

#### IMPORTANT SAFETY INSTRUCTIONS:

This portable lamp has a polarized plug (one blade is wider than the other) as safety a feature to reduce the risk of electric shock. This plug will fit in a polarized outlet only one way. If the plug does not fit fully in the outlet, reverse the plug. If it still does not fit, contact a qualified electrician. Never use with an extension cord unless plug can be fully inserted. Do not alter the plug.

❖ **SAVE THESE INSTRUCTIONS FOR FUTURE REFERENCE.**



# URBAN BARN